



Republic of the Philippines  
**SOUTHERN LUZON STATE UNIVERSITY**  
Lucban, Quezon

**REQUEST FOR QUOTATION**

**FIRE PROTECTION AND DETECTION SYSTEM – POLILLO, QUEZON (PDO)**

**Purchase Request No. 2023-06-1439**  
**Approved Budget for the Contract: ₱ 140,769.95**


The Southern Luzon State University through the Bids and Awards Committee invites interested firms/supplier to submit quotation for the procurement for **Fire Protection and Detection System – Polillo, Quezon (PDO)** to apply the sum of **One Hundred Forty Thousand Seven Hundred Sixty-Nine Pesos and 95/100 Only (₱ 140,769.95)** inclusive of VAT, being the **Approved Budget for the Contract (ABC)**, details as follows:

Qty.	Unit	ITEM/S DESCRIPTION
1	lot	FIRE PROTECTION AND DETECTION SYSTEM – POLILLO, QUEZON

1. The quotation must be submitted (can also be send thru email at the contact details listed below) or to the Office of the Procurement Office/Bids and Awards Committee, Southern Luzon State University, 2<sup>nd</sup> Flr. Hermano Puli Building, and shall be received by the Committee.

E-mail : [slsuprocedurement2021@gmail.com](mailto:slsuprocedurement2021@gmail.com)

2. The SLSU reserves the right to reject any or all quotations and/or proposals and waive any formalities/ informalities therein and to accept such bids it may consider as most advantageous to the agency and to the government. Southern Luzon State University SLSU neither assumes any obligation for whatsoever losses that may be incurred in the preparation of bids, nor does it guarantee that an award will be made.

  
Samuel T. Sacopla  
Head, Procurement office <sup>2023</sup>  
Southern Luzon State University  
Lucban, Quezon  
Tel. No.: (042)540-6519



Republic of the Philippines  
SOUTHERN LUZON STATE UNIVERSITY  
Planning and Development Office  
Lucban , Quezon

PROJECT TITLE : Fire Protection and Detection System  
PROJECT LOCATION: SLSU Polillo Campus, Polillo Island, Quezon  
OWNER : Southern Luzon State University  
ABC : P 140,769.95  
PROJECT DURATION : 20 Calendar Days (Except Sundays and Holidays)  
PROJECT BRIEF DESCRIPTION : Installation of Fire Protection

SUMMARY

ITEM	DESCRIPTION	COST OF MATERIALS	COST OF LABOR AND EQUIPMENT	TOTAL
I	General Works	-		
II	Fire Protection Works			
<b>TOTAL ESTIMATED DIRECT COST</b>				<b>P</b>

TOTAL PROJECT COST IN WORDS: \_\_\_\_\_

\_\_\_\_\_

CONTRACTOR/BIDDER: \_\_\_\_\_



Republic of the Philippines  
SOUTHERN LUZON STATE UNIVERSITY  
Planning and Development Office  
Lucban , Quezon

PROJECT TITLE : Fire Protection and Detection System  
PROJECT LOCATION: SLSU Polillo Campus, Polillo Island, Quezon  
OWNER : Southern Luzon State University  
MODE OF IMPLEMENTATION : by Contract  
PROJECT DURATION : 20 Calendar Days (Except Sundays and Holidays)

**BILL OF MATERIALS**

<b>I. General Works (General Requirements)</b>				
Quantity	Unit	Description	Unit Cost	Total Cost
1	lot	Project Identification & Signs, Tarpaulin with Marine Plywood Backing		

**Sub - Total P**

<b>II. Fire Protection Works</b>				
Quantity	Unit	Description	Unit Cost	Total Cost
<b>FIRE CONTROL SYSTEM</b>				
	set	Fire Alarm System Set Fire Alarm Bell 6 inches diameter 220v with Break Glass Call Point Manual Push Station		
	pcs	Smoke Detector Fire Alarm Indoor Security System 9V Wireless Battery Operated		
	pcs	Fire Extinguisher Red - ABC Dry Chemical; 10lbs complete with wall Bracket		
	pc	Fire Extinguisher Green - HCFC 123; 10lbs with complete with wall Bracket		
	lot	Surface Type Fire Hose Cabinet 50ft Complete Set Double Jacket steel body #18 with Aluminum Frame. White Interior, Red Exterior complete with, fire axe, valve and Fittings, and Lock and Key in 1/8" thk Glass		
	pcs	4 in GI Pipe S40 Seamless		
	pcs	90° Elbow, Female G 1-1/2in x Female G 1-1/2in		
	pcs	1 1/2 in Clamp Saddle Clamp U Clamp Double Hole heavy Duty with Screws		
	pc	Siamese Twin Connection 100x63x63mm		
<b>PAINT WORKS</b>				
	gals	Epoxy Primer with Catalyst		
	gals	Top Coat Red Epoxy Paint		
	gals	Lacquer Thinner		
1	lot	Consumables (Paint Brush, screws, etc.)		

**Sub - Total P**



**PROJECT TITLE:** Fire Protection and Detection System  
**PROJECT LOCATION:** SLSU Polillo Campus, Polillo Island, Quezon  
**OWNER:** Southern Luzon State University  
**PROJECT DURATION:** 20 Calendar Days (Except Sundays and Holidays)  
**SUBJECT:** Scope of Works

#### SCOPE OF WORKS

The contractor shall carry out all the construction works including the following but not limited to:

#### I. GENERAL WORKS

##### Project Billboards

- The one (1) Project Billboards shall be strategically placed within the site vicinity; (As provided on the General Guidelines and Legal Mandates of the Commission on Audit to promote good governance through transparency and accountability, notifications to the public and other forms of announcement and/or publicity for or otherwise relating to the Projects/Programs/Activities (PPA) shall be made at the least possible cost.) Hence, for infrastructure projects, one (1) tarpaulin signboards must be suitably framed for outdoor display at the project location, and shall be posted as the award has been made. The design and format of the tarpaulin as shown below shall have the following specifications, as per RA 9184 Requirements:

Tarpaulin:	White 3ft x 4ft
Resolution:	70 dpi
Font Size:	Main Information – 3” Sub Information – 1”
Font Color:	Black
Contents:	<b>CONSTRUCTION OF (Name of Project and Location)</b> CONTRACTOR : DATE STARTED : CONTRACT COMPLETION DATE : CONTACT COST : IMPLEMENTING OFFICE/ CONTACT NO. : SOURCES OF FUND :

- Installation of safety signage, program and policy, Perimeter fence if needed, Installation of billboard, etc.,

#### II. FIRE PROTECTION WORKS

- Installation of all equipment for fire protection shall be required by Revised IRR RA 9514 Fire Code of the Philippines 2021.
  - Installation of Smoke Detector Fire Alarm Indoor Security System 9V Wireless Battery Operated.
  - Fire Alarm System Set Fire Alarm Bell 6 inches diameter 220v with Break Glass Call Point Manual Push Station
  - Fire Extinguisher Red - ABC Dry Chemical; 10lbs complete with wall bracket in classrooms/ offices, hallway and similar areas.

Republic of the Philippines  
Southern Luzon State University  
Planning and Development office  
Lucban, Quezon

- Fire Extinguisher Green - HCFC 123; 10lbs with complete with wall bracket in all laboratories.
  - Surface Type Fire Hose Cabinet 50ft Complete Set Double Jacket steel body #18 with Aluminum Frame. White Interior, Red Exterior complete with, fire axe, valve and Fittings, and Lock and Key in 1/8" thk Glass.
  - Dry stand pipe with 2 ½" dia. pipe fixed by heavy duty clamp with 2 ½" x 1 ½" x 1 ½ Siamese Twin Connection for Fire department Connection.
- Paint Works
    - Prepare Dry Stand Pipe with Epoxy Primer and Top Coat in red

**Note:** *The infrastructures of the University strictly adhere with the policy and mandates of gender and development (CHED Memo No.1 series 2015)*

Prepared by:

  
**ENGR. JANE COLEEN R. LINGATONG**  
Asst. Planning Engr.

Recommending approval:

  
**ENGR. MELVIN A. MAKIPAGAY**  
Director - Infrastructure Dev.  
Planning and Development

Approved by:

  
**DORACIE B. ZOLETA-NANTES, PHD**  
University President

**PROJECT TITLE:** Fire Protection and Detection System  
**PROJECT LOCATION:** SLSU Polillo Campus, Polillo Island, Quezon  
**OWNER:** Southern Luzon State University  
**PROJECT DURATION:** 20 Calendar Days (Except Sundays and Holidays)  
**SUBJECT:** Specification of materials and finishes

## **SPECIFICATION OF MATERIALS AND FINISHES**

### **GENERAL**

- All applicable provisions of the different divisions of the Specifications for each work shall apply for all items cited in this schedule
- Discrepancy arising from this section of the Contract Documents must be brought to the attention of the Owner or representative Architect/Engineer whose decision shall be final.
- Materials deemed necessary to complete the works but not specifically mentioned in the Specification, Working, Drawing, or in the Contract Document shall be supplied and installed or applied in a workmanlike manner at prescribe or appropriate locations following the Standard Practice of Civil Engineering, National Building Code of the Philippines and Construction Procedures.
- All items with specified approved brand, manufacturer, supplier, fabricator, trademark and the like shall be strictly followed.
- The Contractor shall coordinate the work with the Project Management office to expedite the implementation of the project, most specially, during the milestones of the project.
- The Contractor shall supply all finishing accessories and furnishing fixtures as may be approved by the power or representative and shall be installed by the Contractor whenever required by the Owner or Representative.

### **FIRE PROTECTION WORKS**

All equipment and components shall be installed in strict compliance with the standards, codes and manufacturer's recommendations.

- **Smoke Detectors**
  - Smoke detectors shall be designed of abnormal densities by the use of photoelectric or ionization principle and shall have a time delay to prevent false alarm.
- **Manual Pull Stations**
  - Manual fire detection is achieved through the activation of fire alarm manual pull station or call point. Manual pull stations shall be wall mounted with clearly visible operating instructions provided on the cover and the word "FIRE" shall appear on the front stations.
- **Fire Extinguishers**
  - Any fire extinguisher provided shall be installed, inspected and maintained in accordance with Section 10.2.6.9 of this RIRR.
  - The classification of fire extinguishers shall consist of a letter that indicates the class of fire on which a fire extinguisher has been found to be effective, preceded by a rating number (applicable to Class A and Class B only) that indicates the relative extinguishing effectiveness. Fire extinguishers classified for use on Class C and Class D hazards shall not be required to have a number preceding the classification letter.

Republic of the Philippines  
Southern Luzon State University  
Planning and Development office  
Lucban, Quezon

- Fire extinguishers shall be conspicuously located where they will be readily accessible and immediately available in the event of fire. Preferably, they shall be located along normal paths of travel, including exits from areas.
  - Fire extinguishers shall not be obstructed or obscured from view, except in large rooms, and in certain locations where visual obstruction cannot be completely avoided, arrows, lights, signs, or coding of the wall are the acceptable means of identifying its location.
  - Fire extinguishers having a gross weight not exceeding eighteen kilograms (18 kg) shall be installed so that the top of the fire extinguisher is not more than one and a half meter (1.5 m) above the floor. Fire extinguishers having a gross weight greater than eighteen kilograms (18 kg), except wheeled types, shall be so installed that the top of the fire extinguisher is not more than one meter (1 m) above the floor. In no case shall the clearance between the bottom of the fire extinguisher and the floor be less than one hundred millimeters (100 mm).
  - Fire extinguishers mounted in cabinets or wall recesses shall be placed so that the fire extinguisher operating instructions face outward. The location of such fire extinguishers shall be marked conspicuously.
- **Dry Stand Pipes**
- Dry standpipes shall be of wrought iron or galvanized steel and together with fittings and connections shall be of sufficient strength to withstand 20 kilograms per square centimeter of water pressure when ready for service, without leaking at the joints, valves, or fittings. Tests shall be conducted by the owner of the building contractor in the presence of a representative of the Building Official whenever deemed necessary for the purpose of certification of its proper function.
  - All dry standpipes shall extend from the ground floor to and over the roof and shall be equipped with a 63 millimeters outlet not more than 1.20 meters above the floor level at each storey. All dry standpipes shall be equipped with a two-way 63 millimeters outlet above the roof. All outlets shall be equipped with gate valves.
  - Siamese Connections — Subject to the provisions of subparagraph (2) all 100 millimeters dry standpipes shall be equipped with a two-way Siamese fire department connection.
- **Fire Hose Cabinets**
- Cabinets housing fire extinguishers shall not be locked, except where fire extinguishers are subject to malicious use, locked cabinets shall be permitted to be used, provided they include means of emergency access.

**Painting works**


- Pressure clean and remove oil, grease and loose foreign matter, including, mold mildew, dirt and corrosion products, in a manner which causes neither undue damage to the substrate nor damage to, or contamination of, the surroundings or the paint system to be applied
- Filling - Fill cracks and holes with fillers, sealers or grouting cements as appropriate for the finishing system and substrate, and sand smooth, to ensure all coats finish smooth
- Apply paint and related material with an undercoat plus two coats of selected finish color or with the number of coats specified in accordance with the manufacturer's recommendations. Allow each coat to harden for the drying time (or time between coats) recommended by the manufacturer. Use appropriate paint type for interior and exterior walls.



Republic of the Philippines  
Southern Luzon State University  
Planning and Development office  
Lucban, Quezon

- Finish - Ensure each coat of paint is uniform in color, gloss, thickness and texture and free of runs, sags, blisters, or other discontinuities.

Prepared by:

  
**ENGR. JANE COLEEN R. LINGATONG**  
Asst. Planning Engr.

Recommending approval:

  
**ENGR. MELVIN A. MAKIPAGAY**  
Director - Infrastructure Dev.  
Planning and Development

Approved by:

  
**DORACIE B. ZOLETA-NANTES, PHD**  
University President

Republic of the Philippines  
**SOUTHERN LUZON STATE UNIVERSITY**  
 Planning and Development Office  
 Lucban, Quezon

PROJECT TITLE : Fire Protection and Detection System  
 PROJECT LOCATION: SLSU Polillo Campus, Polillo Island, Quezon  
 OWNER : Southern Luzon State University  
 PROJECT DURATION : 20 Calendar Days (Except Sundays and Holidays)

**PERT-CPM/GANTT CHART**

ITEM	TASK NAME	DURATION		TIMELINE												
				2	4	6	8	10	12	14	16	18	20			
<b>I.</b>	<b>GENERAL WORKS</b>															
	General Works	20	days													
<b>II.</b>	<b>FIRE PROTECTION WORKS</b>															
	Installation of Dry Stand Pipe	14	days													
	Installation of Fire Alarm System	10	days													
	Installation of Fire Cabinet	15	days													
	Installation of Wall mounted Fire Extinguishers	12	days													

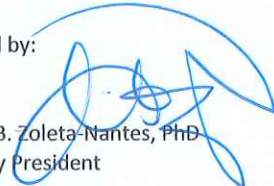
Prepared by :

  
 Engr. Jane Coleen R. Lingatong  
 Asst. Planning Engineer

Recommending Approval:

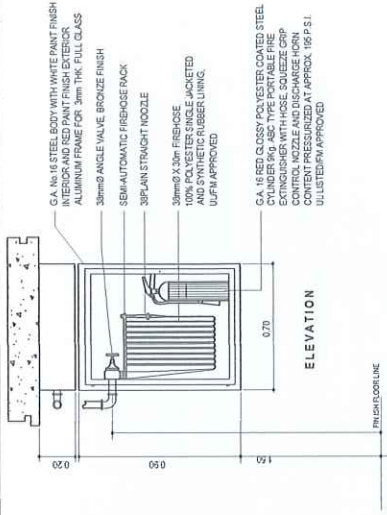
  
 Engr. Melvin A. Makipagay  
 Dir.- PDO, Infrastructure Development

Approved by:

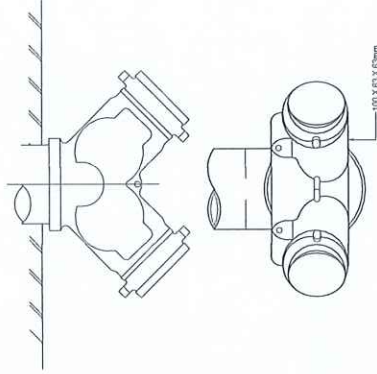
  
 Doracie B. Zoleta-Nantes, PhD  
 University President

**GENERAL NOTES:**

1. ALL WORKS SHOULD BE DONE IN ACCORDANCE WITH THE NATIONAL FIRE PROTECTION ASSOCIATION (NFPA) CODES NO. 13 & 20, NATIONAL FIRE BUILDING CODE OF THE PHILIPPINES.
2. ALL WORKS SHALL BE EXECUTED IN CLOSE COORDINATION WITH ALL OTHER TRADES. THE ARCHITECT AND THE ENGINEER SHALL BE NOTIFIED IMMEDIATELY OF ANY CONFLICT.
3. THE CONTRACTOR SHALL SUBMIT CATALOGUE / BROCHURES SUBJECT FOR FURTHER TECHNICAL EVALUATION BY THE COMPETENT AUTHORITY (LOCAL GOVERNMENT) / INSTALLATION OF THE EQUIPMENT/UNIT.
4. ALL PIPE SIZES ARE IN MILLIMETERS UNLESS OTHERWISE NOTED.
5. PIPE SLEEVES SHALL BE PROVIDED FOR ALL PIPES PASSING THRU SLABS, WALLS & BEAMS.
6. THE CONTRACTOR SHALL BE RESPONSIBLE FOR ALL TESTING AND COMMISSIONING FOR ALL EQUIPMENT INSTALLED.

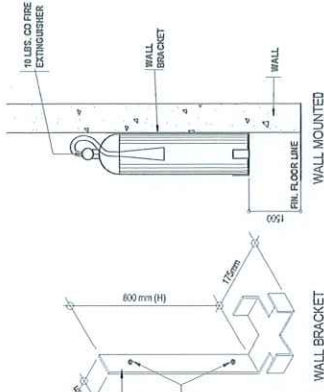


**FIRE HOSE CABINET DETAIL**  
NOT TO SCALE

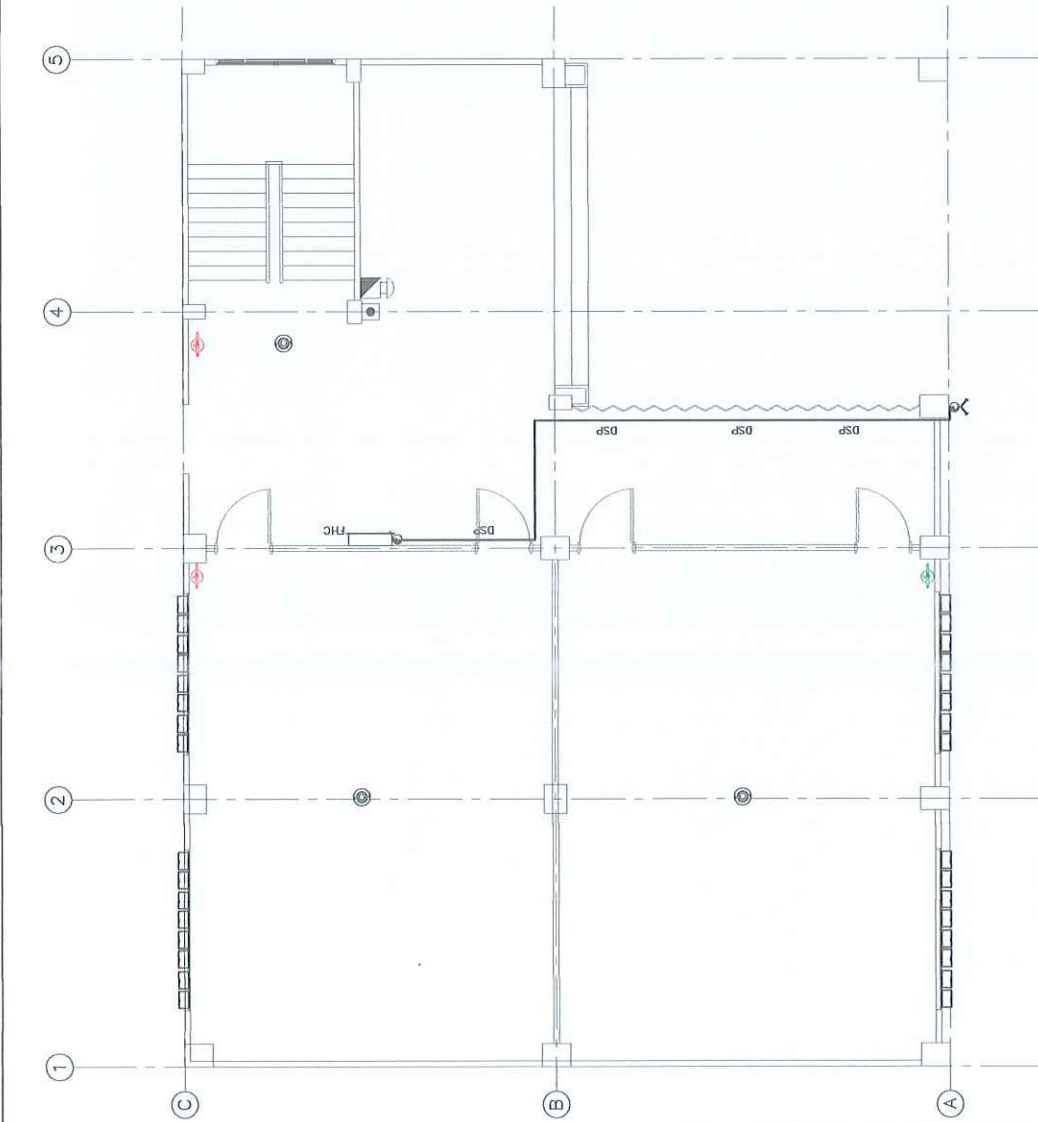


**DET. OF FIRE DEPT. CONNECTION**  
NOT TO SCALE

- LEGEND:**
- ☉ SMOKE DETECTOR
  - 🔴 FIRE EXTINGUISHER ABC (RED)
  - 🟢 FIRE EXTINGUISHER HCFC 123 (GREEN)
  - 📦 FIRE HOSE CABINET
  - 🔔 FIRE ALARM BELL
  - 📞 MANUAL CALL POINT (BREAK GLASS POINT)
  - DSP DRY STAND PIPE
  - ⬆️ RISER
  - ↗️ SIAMESE PIPE 2" 4" FIRE DEPT. CONNECTION



**FIRE EXTINGUISHER DETAIL**  
NOT TO SCALE

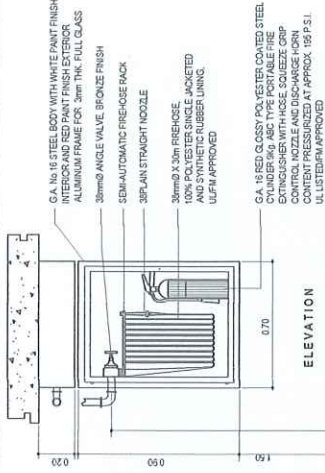


**GF - FIRE PROTECTION PLAN**  
SCALE 1:50

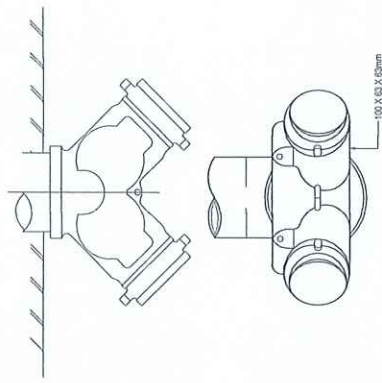
	ARCHITECT/CIVIL ENGINEER	PROJECT TITLE:	REVIEWED BY:	RECOMMENDING APT. #	APPROVED BY:	SHEET CONTENT:	SHEET #
	DR. JANE CALLE R. LINGANONG RESIDENTIAL ENGINEER (REGISTERED)	FIRE PROTECTION AND DETECTION SYSTEM	ENGR. MELVIN A. MARIKAPAGAY DIRECTOR (FOOD, INFRASTRUCTURE DEVELOPMENT)	ENGR. MELVIN A. MARIKAPAGAY UNIVERSITY PRESIDENT	DONACIE B. ZOLETANANTES PH.D. UNIVERSITY PRESIDENT		
	ANDREW BASHI PULLO-GAYTES, POELLLO BLANCO, QUIZON ARCHITECTS						

**GENERAL NOTES:**

1. ALL WORKS SHOULD BE DONE IN ACCORDANCE WITH THE LATEST EDITION OF THE NATIONAL FIRE PROTECTION ASSOCIATION (NFPA) CODES NO. 13 & 20, NATIONAL FIRE BUILDING CODE OF THE PHILIPPINES.
2. ALL WORKS SHALL BE EXECUTED IN CLOSE COORDINATION WITH ALL OTHER TRADES. THE ARCHITECT AND THE ENGINEER SHALL BE NOTIFIED IMMEDIATELY OF ANY CONFLICT.
3. THE CONTRACTOR SHALL SUBMIT CATALOGUE / BROCHURES SUBJECT FOR FURTHER TECHNICAL EVALUATION BY THE CONCERNED AUTHORITY OF THE DEPARTMENT OF FIRE PREVENTION / INSPECTION OF THE EQUIPMENT.
4. ALL PIPE SIZES ARE IN MILLIMETERS UNLESS OTHERWISE NOTED.
5. PIPE SLEEVES SHALL BE PROVIDED FOR ALL PIPES PASSING THRU SLABS, WALLS & BEAMS.
6. THE CONTRACTOR SHALL BE RESPONSIBLE FOR ALL TESTING AND COMMISSIONING FOR ALL EQUIPMENT INSTALLED.



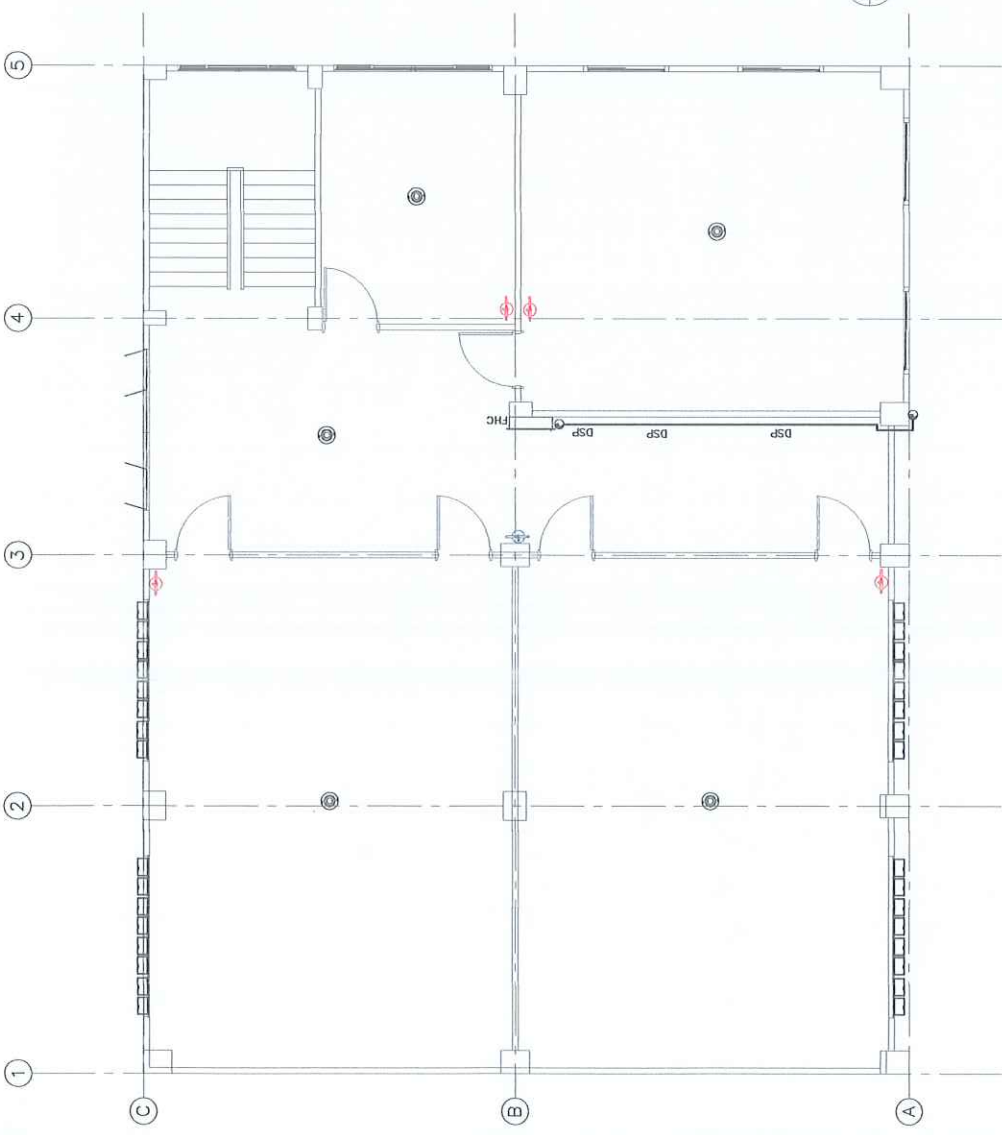
**FIRE HOSE CABINET DETAIL**  
NOT TO SCALE




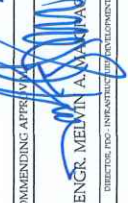

**DET. OF FIRE DEPT. CONNECTION**  
NOT TO SCALE

**FIRE EXTINGUISHER DETAIL**  
NOT TO SCALE

- LEGEND:**
- ⊙ SMOKE DETECTOR
  - ⊕ FIRE EXTINGUISHER ABC (RED)
  - ⊖ FIRE EXTINGUISHER HFC 123 (GREEN)
  - FHC FIRE HOSE CABINET
  - ⊠ FIRE ALARM BELL
  - ⊞ MANUAL CALL POINT (BREAK GLASS POINT)
  - DSP DRY STAND PIPE
  - RISER
  - ⚡ SIAMSESE PIPE 2 1/2" FIRE DEPT. CONNECTION



**2F/3F - FIRE PROTECTION PLAN**  
SCALE 1:50

	ARCHITECT/CIVIL ENGINEER	RECOMMENDING APPROVAL	APPROVED	SHEET CONTENT:	SHEET #
	PLANNED BY:	REVIEWED BY:	REVISIONS:	DATE:	DATE:
	PROJECT TITLE: <b>FIRE PROTECTION AND DETECTION SYSTEM</b>	UNIVERSITY PROJECTS			
PROJECT LOCATION: UNIVERSITY BUILDING, POGLO BLVD., POGLO BLVD., QUEZON CITY	RECOMMENDING APPROVAL:  ENGR. MELVIN A. MANAWAY	APPROVED:  DR. RACIE B. ZOLETA-NANTES PH.D.			
DIRECTOR, PDC - INFRASTRUCTURE DEVELOPMENT UNIVERSITY PROJECTS					